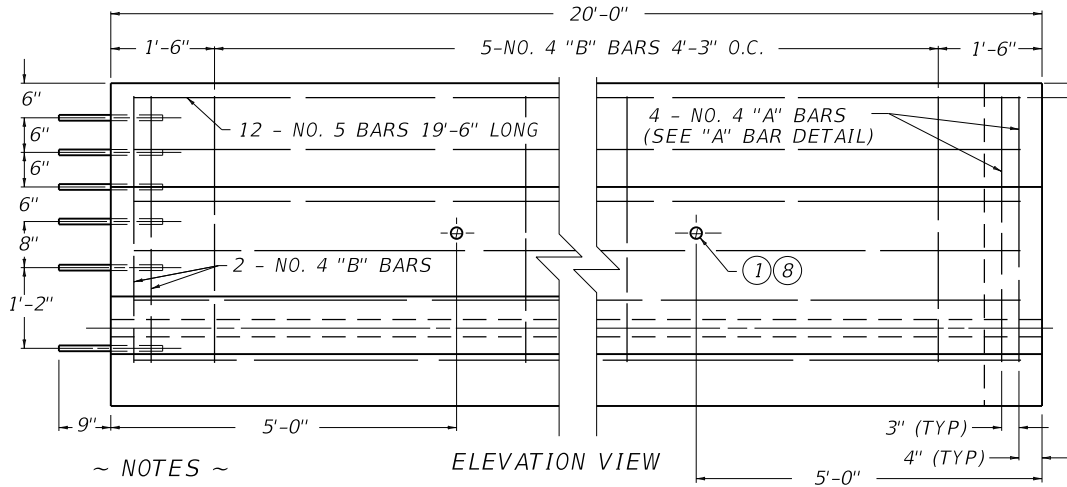
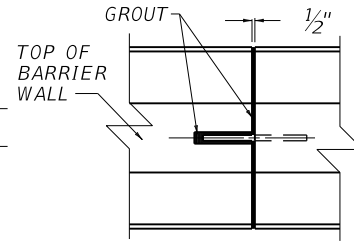


PLAN VIEW

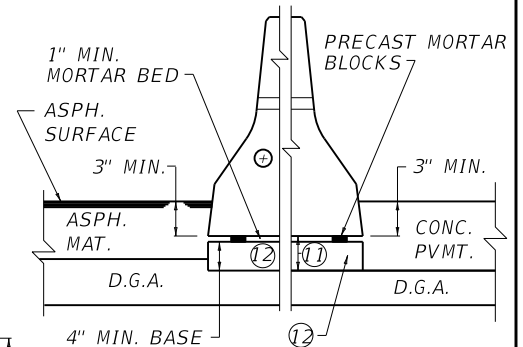
2" x 10" GROOVE



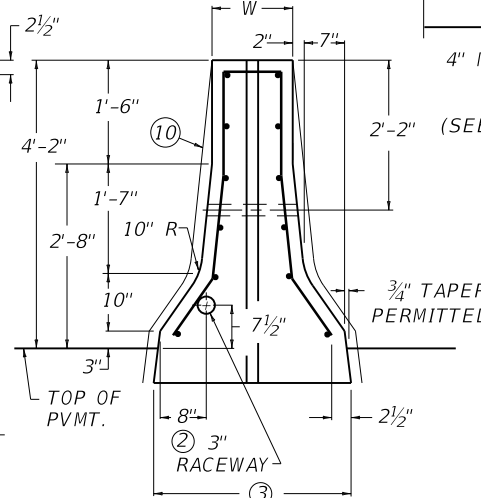
ELEVATION VIEW



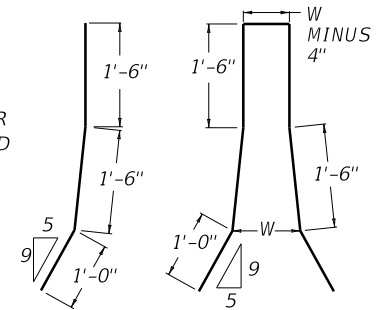
CONNECTION DETAIL



PAVEMENT DETAIL  
(SEE RIGHT ELEVATION FOR DIMENSIONS)



RIGHT ELEVATION VIEW



DETAIL OF "A" BAR  
DETAIL OF "B" BAR

~ NOTES ~

BID ITEM AND UNIT TO BID:

A. CONCRETE MEDIAN BARRIER TYPE ☆ ⊕ 50

☆ 12 OR 14 DEPENDING ON "W".

⊕ A OR C DEPENDING ON PAVEMENT TYPE. SEE CURRENT STANDARD DRAWING RBM-050 FOR PAVEMENT TYPE.

B. WITH FLEXIBLE PAVEMENT THE CONTRACT UNIT PRICE PER LINEAR FOOT SHALL INCLUDE THE BASE, ALL CONCRETE, LABOR, REINFORCING STEEL AND ALL OTHER INCIDENTALS NECESSARY TO COMPLETE THE PERMANENT INSTALLATION.

C. WITH RIGID PAVEMENT THE CONTRACT UNIT PRICE PER LINEAR FOOT SHALL INCLUDE, THE BASE, ALL CONCRETE, LABOR, REINFORCING STEEL AND ALL OTHER INCIDENTALS NECESSARY TO COMPLETE THE PERMANENT INSTALLATION.

① 2" DIA. LIFTING HOLE - 2 REQUIRED AT EACH SECTION. FORMED WITH 2" P.V.C. PIPE OR EQUAL.

② THE RACEWAY SHALL BE TIED TO EACH OF THE A AND B BARS TO PREVENT SAG. SEE ELSEWHERE IN THE PLANS FOR LOCATION AND PAYMENT FOR RACEWAY WHEN REQUIRED.

③ 12" W WITH 2'-6" WIDE BASE OR 14" W WITH 2'-8" BASE (TAPER NOT INCLUDED IN BASE WIDTH).

4. PLACE ALL STEEL REINFORCEMENT A CLEAR DISTANCE OF 2" MIN. FROM OUTSIDE FACE OF WALL, EXCEPT WHERE SHOWN OTHERWISE.

5. SHOP DRAWINGS SHALL BE APPROVED PRIOR TO MANUFACTURE.

⑥ WHEN THE "X" DIMENSION EQUALS 10" THE BAR SHALL BE TURNED DOWN 6" ("Z" DIMENSION) AND AN ADDITIONAL LONGITUDINAL BAR SHALL BE ADDED AT THE BOTTOM OF THE TURN DOWN ("Z" DIMENSION) AND TO THE "Y" PORTION OF THE BAR. FOR EACH 6" INCREMENT OF THE "X" DIMENSION ABOVE 10" AN ADDITIONAL LONGITUDINAL BAR SHALL BE ADDED IN THE "Z" AND "Y" PORTION OF THE BAR.

⑦ THE "Z" DIMENSION SHALL INCREASE INCH FOR INCH WHEN THE "X" DIMENSION EXCEEDS 10".

⑧ LIFTING BARS SHALL BE REQUIRED TO PREVENT SPALLING OF CONCRETE AROUND HOLES.

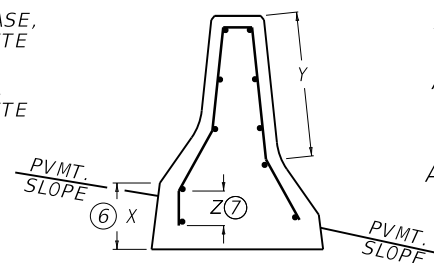
9 THE LIFTING HOLES SHALL BE FILLED WITH GROUT WHEN COMPLETE.

⑩ WALL MAY BE FORMED AS DEPICTED BY PHANTOM LINES.

⑪ PAVEMENT THICKNESS MINUS 3".

⑫ SEE ELSEWHERE IN PLANS FOR BASE REQUIREMENTS.

13. SEE CURRENT STANDARD DRAWING RBM-050 FOR WALL TRANSITION WHEN APPLICABLE.



STEEL PLACEMENT FOR  
ASYMMETRICAL WALL SECTION

NOT FOR NEW CONSTRUCTION. ONLY USE FOR REPAIRING OR RESTORING EXISTING HARDWARE.

APPROX. REINF./20' SECTION  
296 LBS.

APPROX. CU. YD. CONC./LIN. FT.

12" WIDE TOP = 0.23

14" WIDE TOP = 0.26

APPROX. WEIGHT/20' SECTION  
BASED ON 150 LBS./CU. FT.

12" WIDE TOP = 9.3 TONS

14" WIDE TOP = 10.4 TONS

USE WITH CUR. STD. DWG.  
RBM-050

|  |               |
|--|---------------|
| <b>KENTUCKY</b><br><b>DEPARTMENT OF HIGHWAYS</b><br><b>CONCRETE MEDIAN</b><br><b>BARRIER PRECAST</b><br><b>(PERMANENT)</b><br><b>(50" TALL WALL)</b> |               |
| STANDARD DRAWING NO. RBM-053-02  |               |
| SUBMITTED  | DATE 02-26-20 |
| APPROVED   | DATE 02-26-20 |